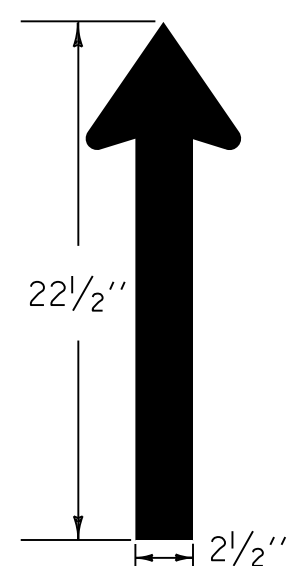
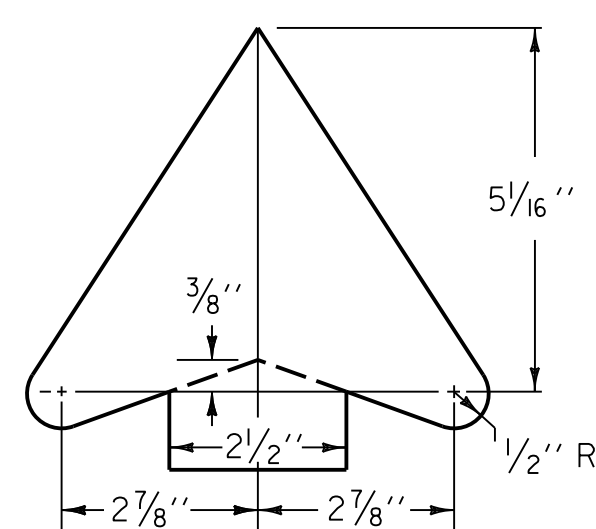


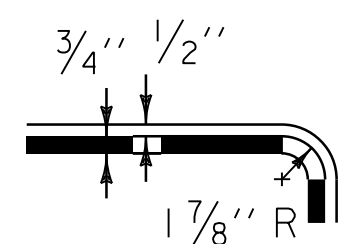
\* REDUCE SPACING 50%



**SYMBOL DETAILS**



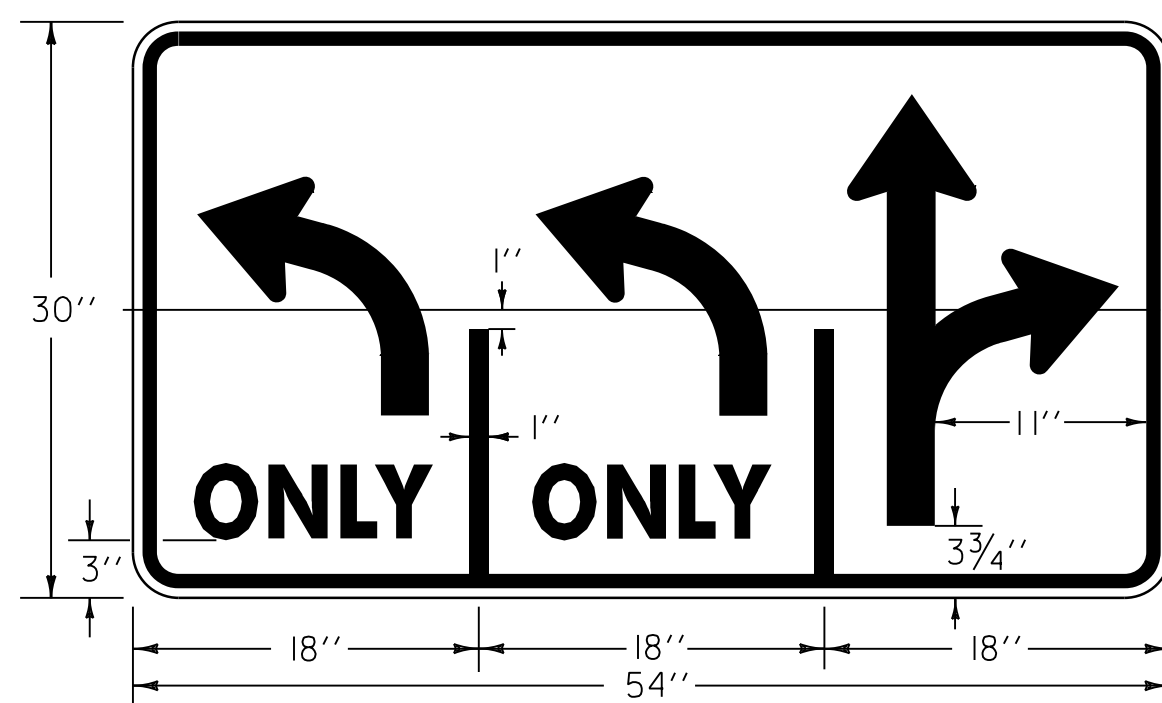
**ARROW HEAD DETAIL**



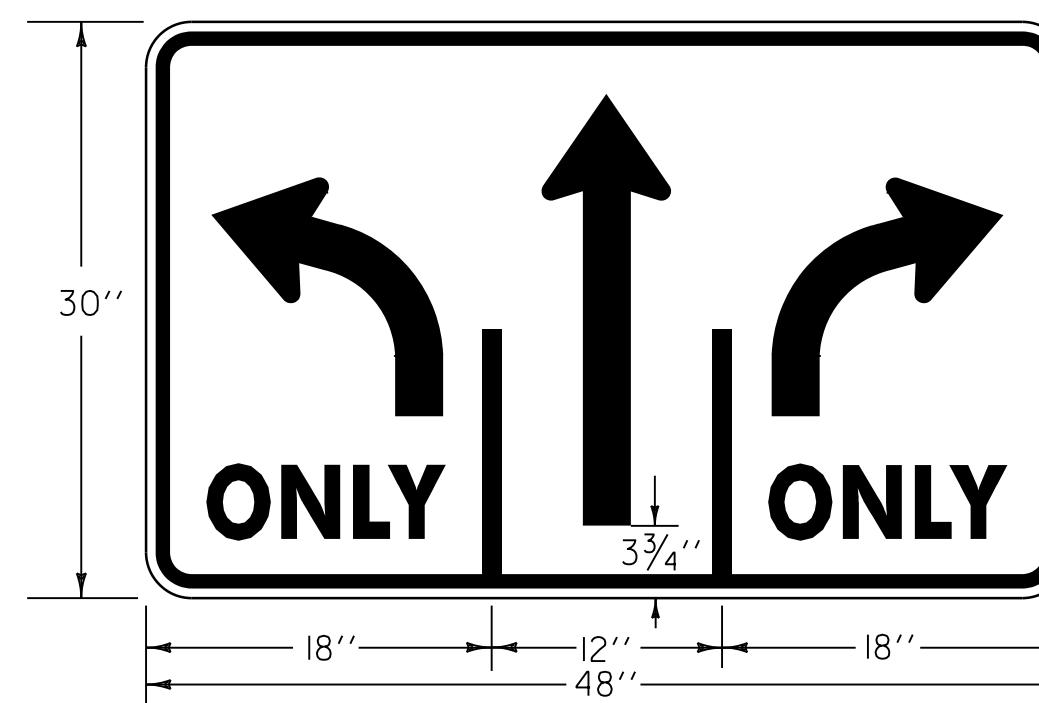
**BORDER/MARGIN**

**NOTES:**

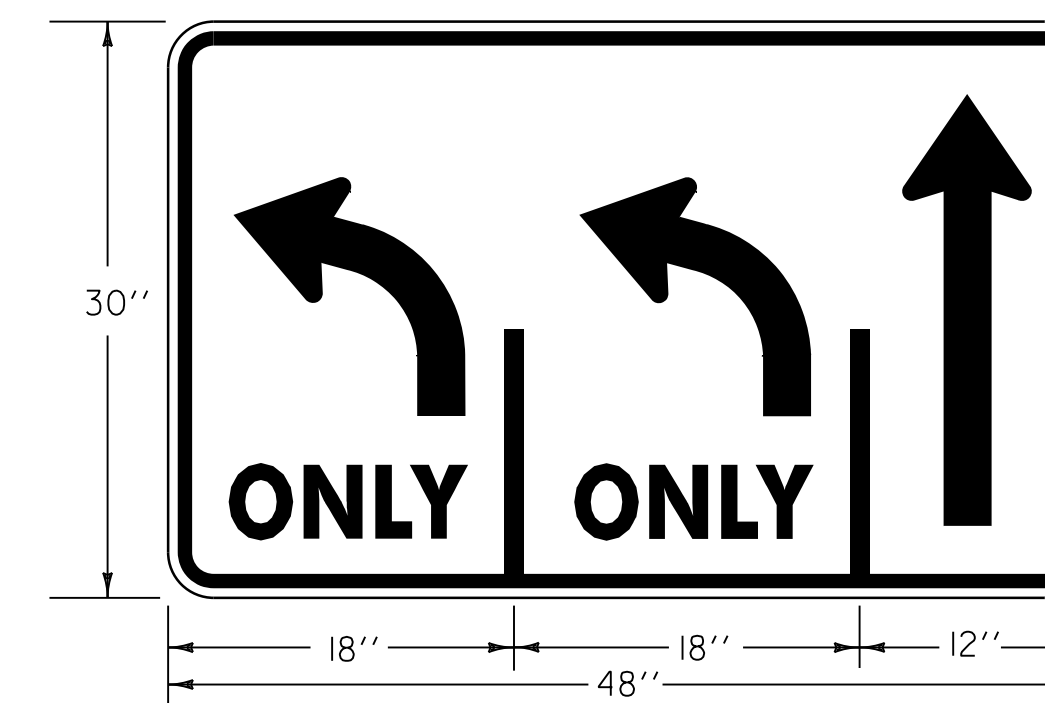
1. OPTICALLY CENTER SYMBOLS WITHIN SECTIONS UNLESS OTHERWISE NOTED.
2. "VR-9XX" IS THE SIGN CODE NUMBER.
3. MIRROR IMAGES ARE NOT SHOWN BUT CARRY THE SAME CODE NUMBER.
4. THESE SIGNS ARE INTENDED FOR GROUND MOUNTING ONLY.
5. OTHER VARIATIONS OF THESE STANDARD DESIGNS ARE DEPICTED IN THE VT SIGN IDENTIFICATION MANUAL. WHEN THEY ARE USED THEY SHOULD BE DESIGNED USING THE DIMENSIONS AND DETAILS SHOWN HERE.



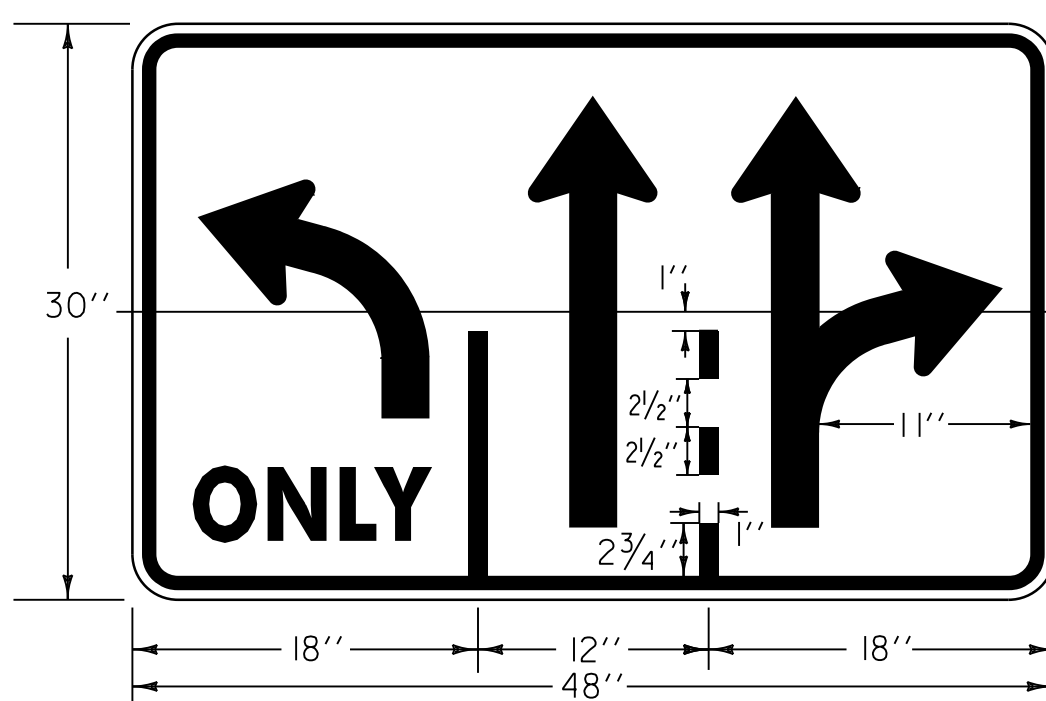
**VR-931**



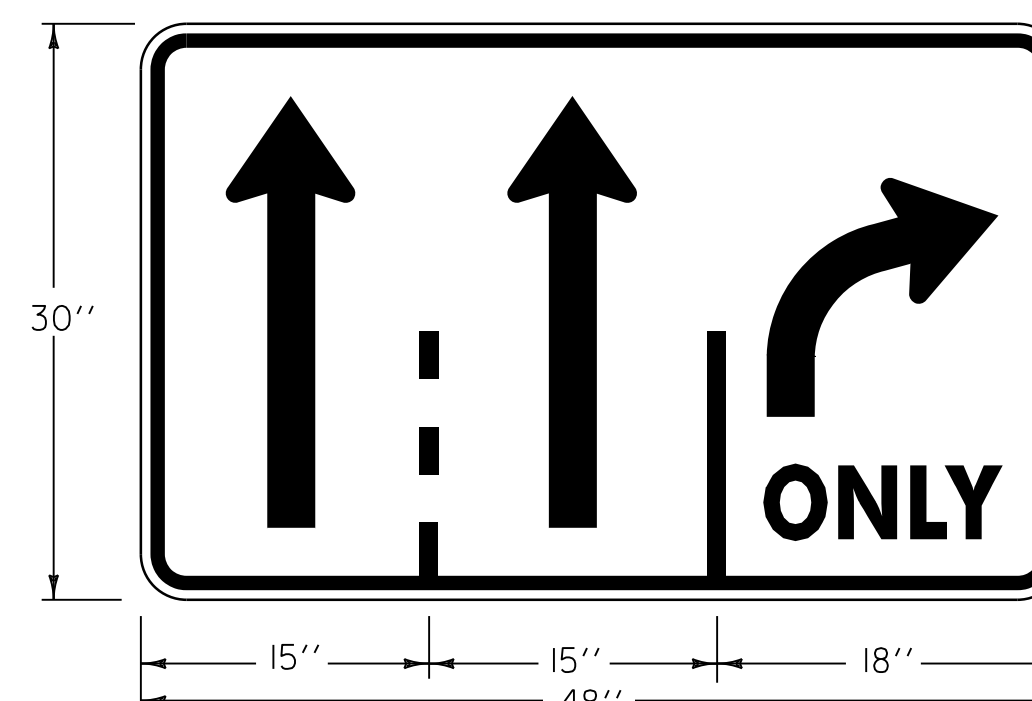
**VR-932**



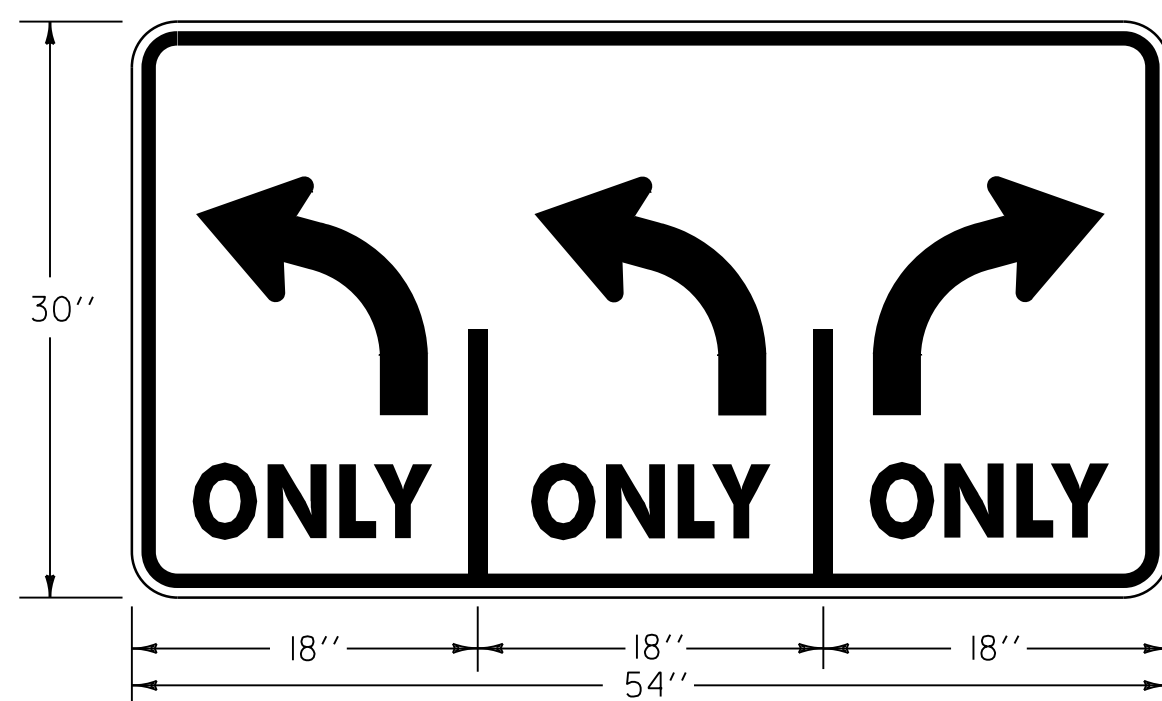
**VR-933**



**VR-934**



**VR-935**



**VR-936**

**COLORS:**

THE REGULATORY SIGNS SHOWN ON THIS SHEET SHALL HAVE BLACK TEXT ON REFLECTORIZED WHITE BACKGROUND. THE COLORS SHALL CONFORM WITH THE COLORS ADOPTED BY THE AMERICAN ASSOCIATION OF STATE HIGHWAY AND TRANSPORTATION OFFICIALS AND APPROVED BY THE DEPARTMENT OF TRANSPORTATION, FEDERAL HIGHWAY ADMINISTRATION.

**MATERIALS:**

THE SIGN BASE MATERIALS USED FOR REGULATORY SIGNS SHOWN ON THIS SHEET MUST CONFORM TO SECTION 675 OF THE LATEST VERSION OF THE VAOT STANDARD SPECIFICATIONS FOR CONSTRUCTION.

**SPECIFICATIONS:**

REGULATORY SIGNS SHALL MEET THE VERMONT STANDARD SPECIFICATIONS FOR TRAFFIC SIGNS.

**TEXT DESIGN:**

LETTERS, DIGITS, ARROWS, SPACING AND TEXT DIMENSIONS SHALL CONFORM WITH THE "STANDARD ALPHABET FOR HIGHWAY SIGNS AND PAVEMENT MARKINGS" AND DESIGNS PRESCRIBED IN THE STANDARD HIGHWAY SIGNS AS SPECIFIED IN THE MANUAL ON UNIFORM TRAFFIC CONTROL DEVICES.

REV.	DATE	DESCRIPTION
0	DEC. 23, 1994	ORIGINAL APPROVAL
1	JUN. 25, 2024	MINOR REVISIONS, BORDER UPDATE

OTHER STANDARDS REQUIRED:

REGULATORY SIGN DETAILS  
LANE USE CONTROL SIGNS  
THREE LANE APPROACHES



STANDARD  
E-145B