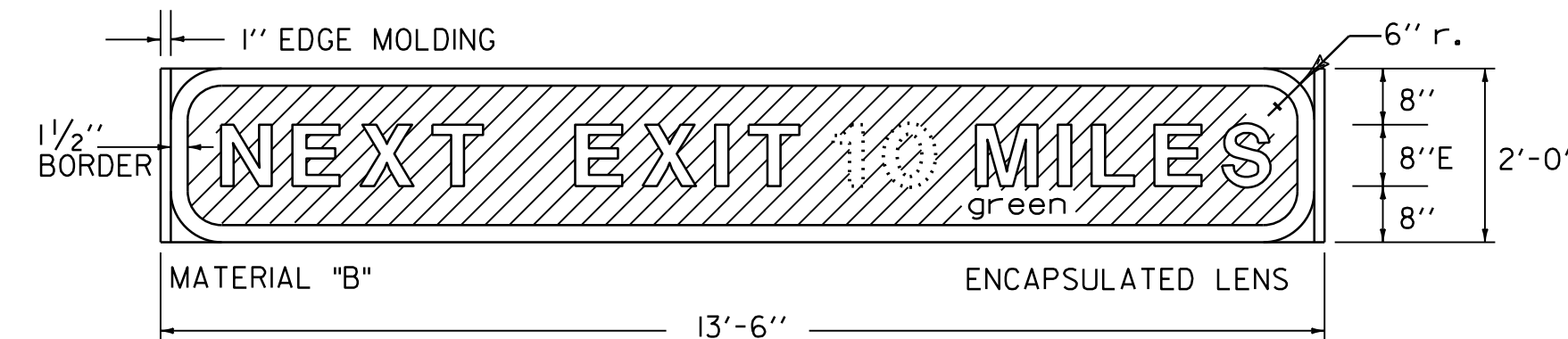
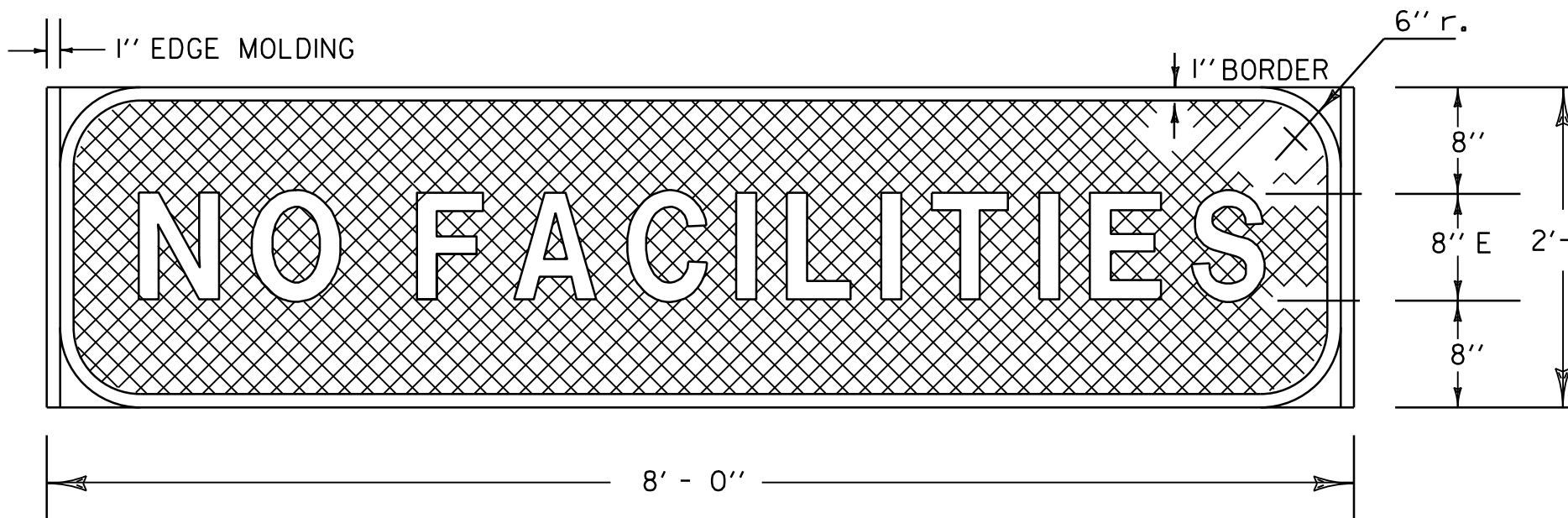
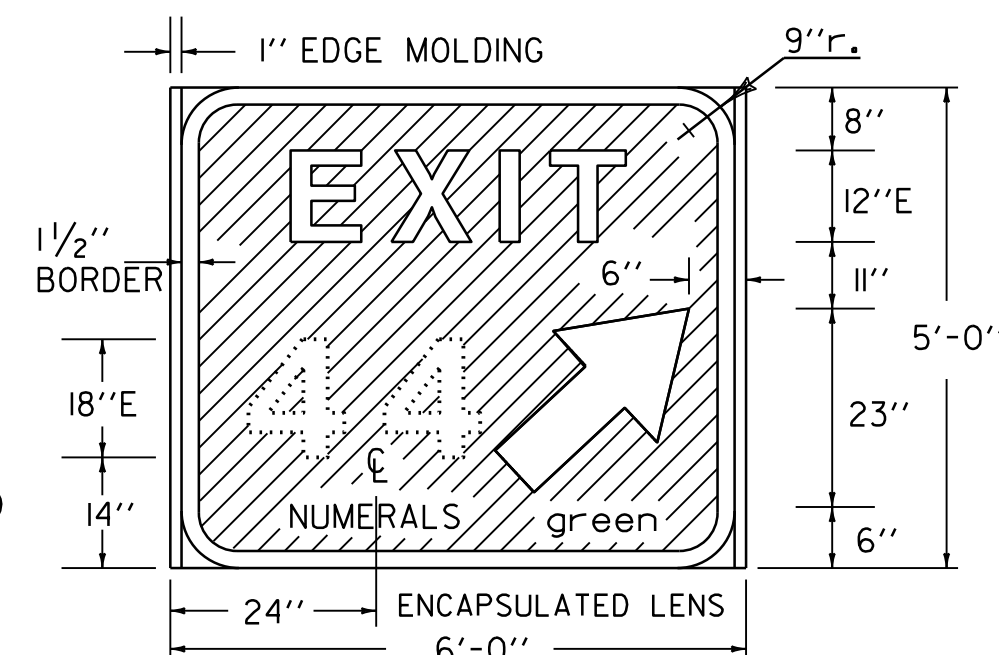
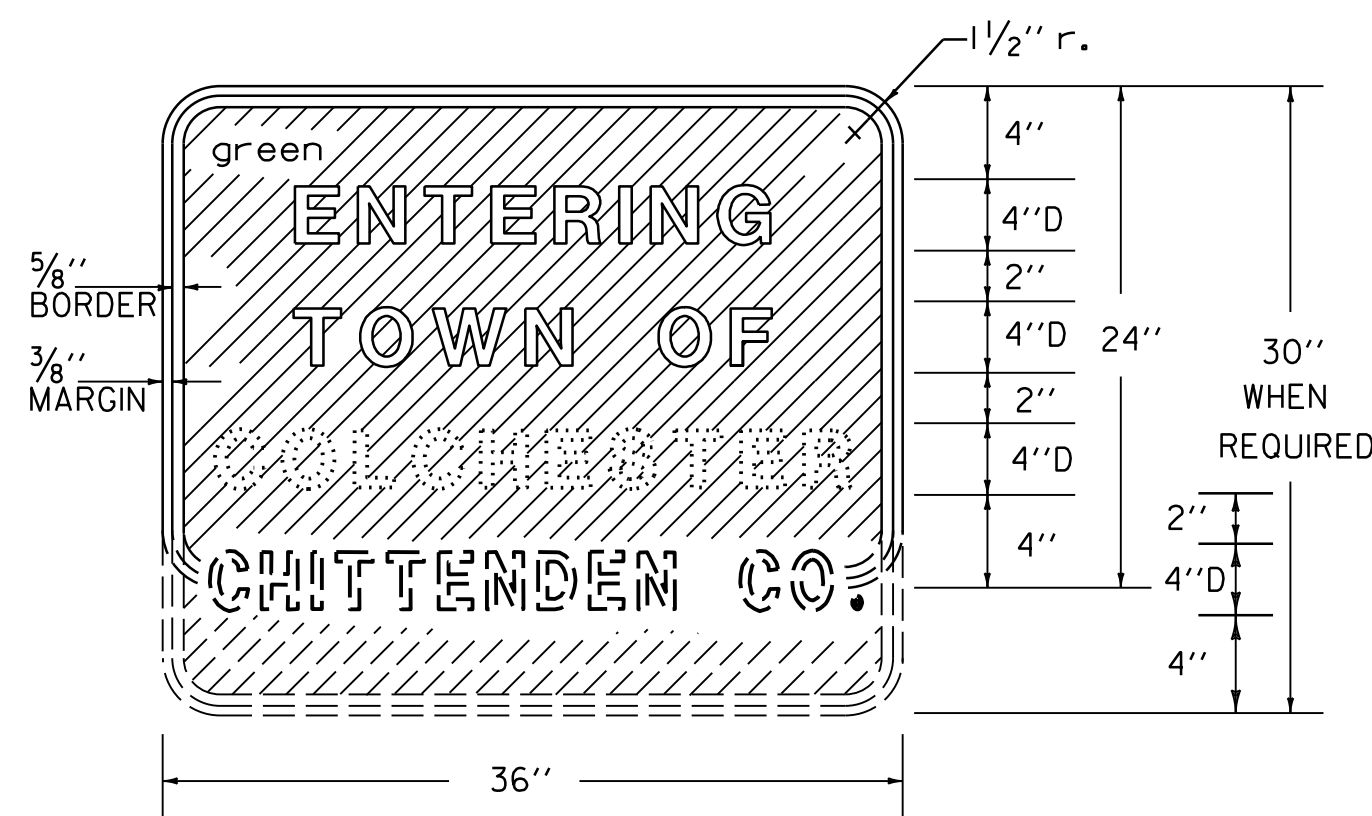
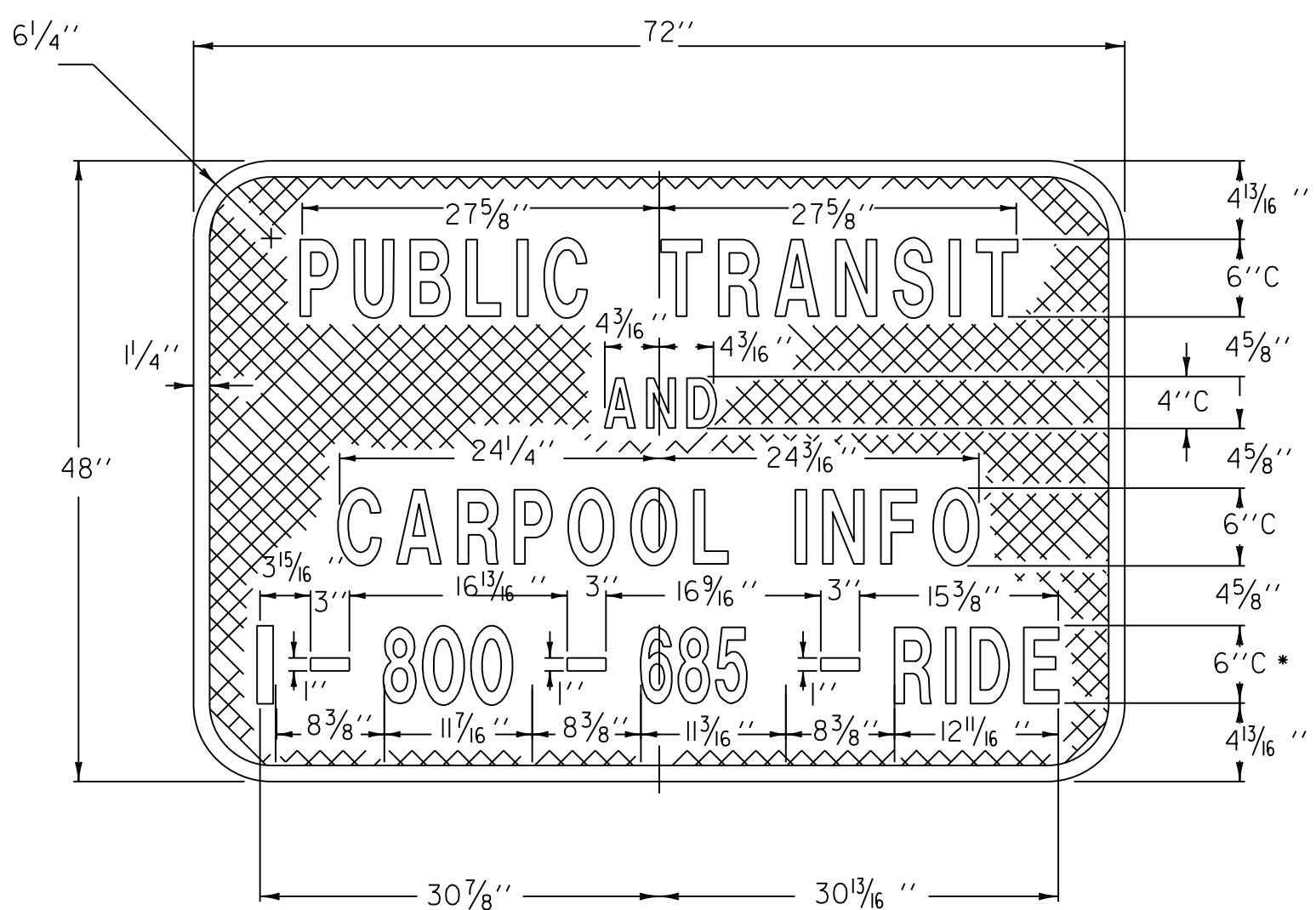


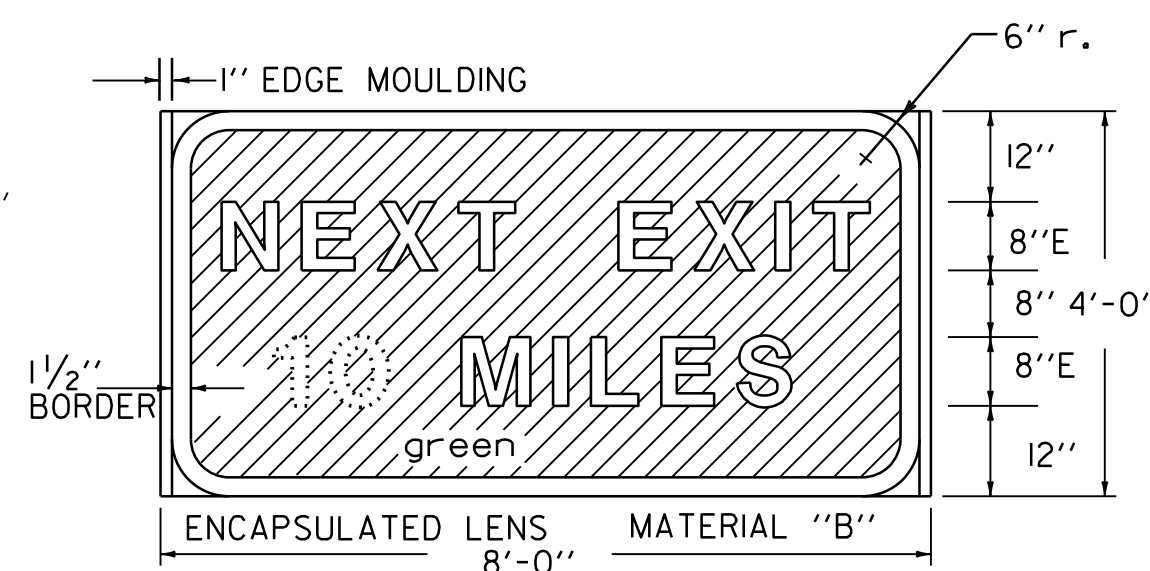
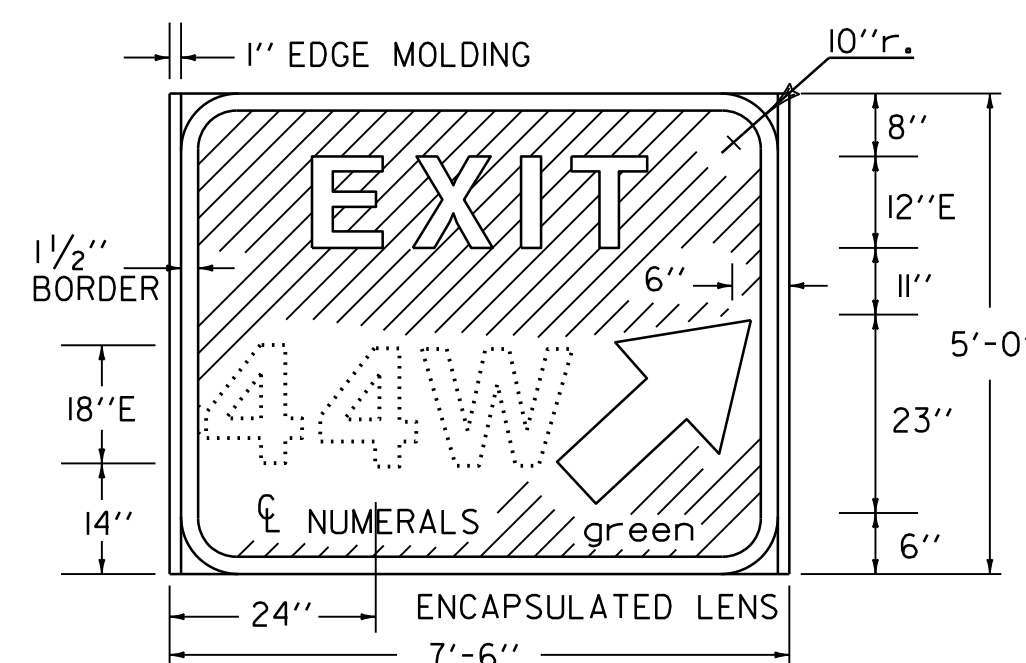
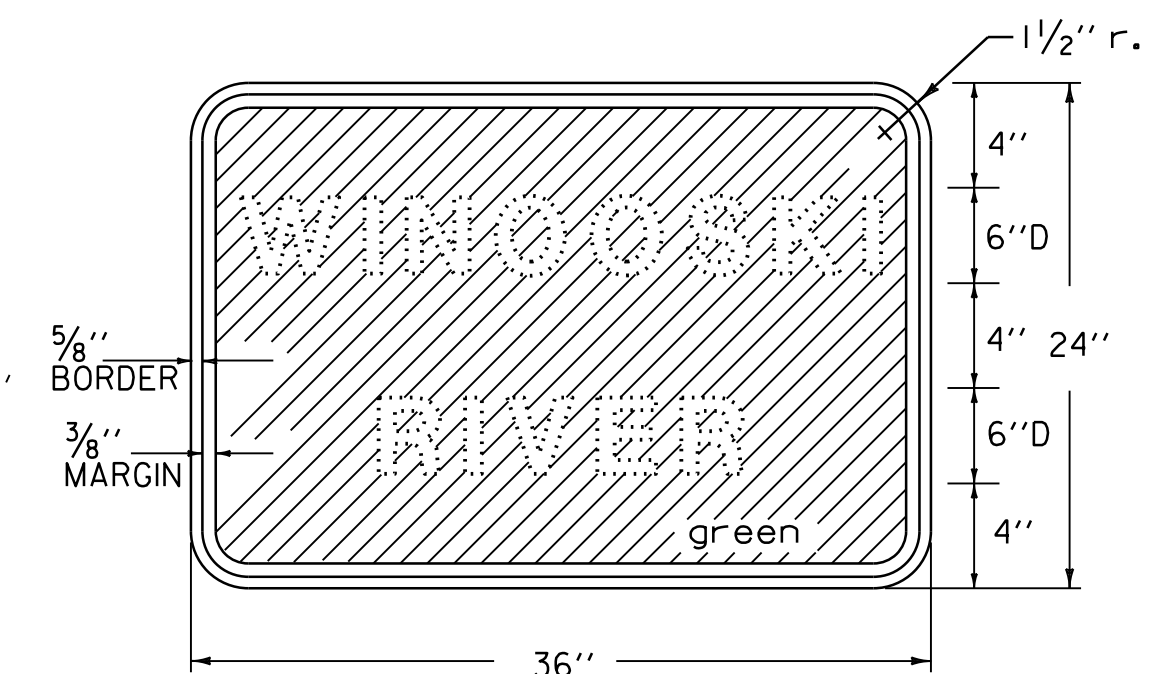
A* OPTICALLY SPACE CHARACTERS ABOUT CENTERLINE. ACTUAL DIMENSIONS VARY.



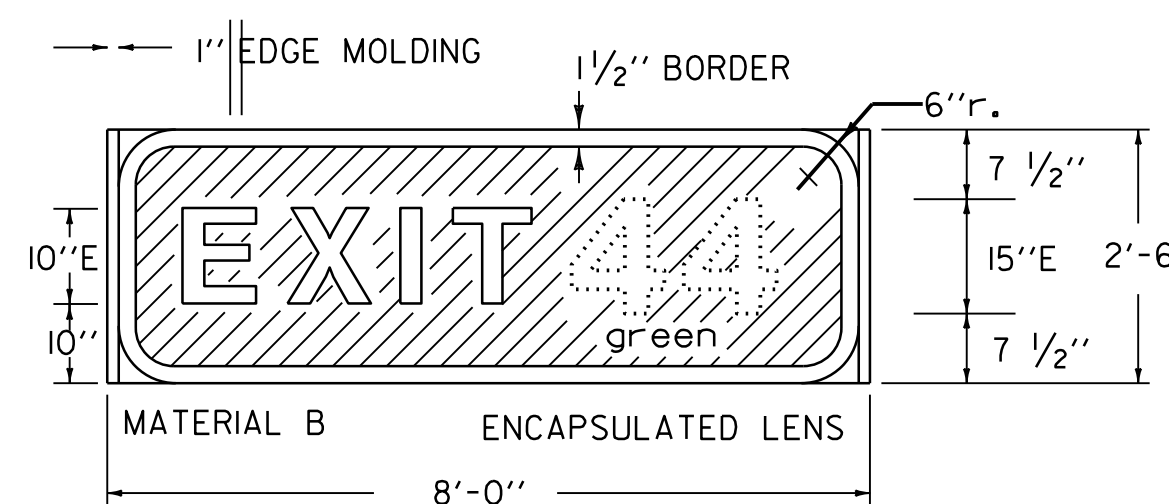
USE THIS SIGN WHEN PARENT SIGN IS 14' OR MORE (HORIZ.)



* Reduce spacing of text by 40%.



USE THIS SIGN WHEN PARENT SIGN IS LESS THAN 14' (HORIZ.)



GENERAL:

DOTTED LINES AND NUMERALS INDICATE TEXT THAT VARIES. GREEN SIGNS HAVE SINGLE LINE CROSSHATCHING AND BLUE SIGNS ARE SHOWN WITH DOUBLE LINE CROSSHATCHING.

MATERIALS:

THE SIGN BASE MATERIALS USED FOR REGULATORY SIGNS SHOWN ON THIS SHEET MUST CONFORM TO SECTION 675 OF THE LATEST VERSION OF THE VAOT STANDARD SPECIFICATIONS FOR CONSTRUCTION.

TEXT AND BORDER:

THE MATERIAL FOR THE TEXT AND BORDER AND SYMBOLS OF THESE SIGNS SHALL BE OF FLAT SHEET ALUMINUM 0.040" THICKNESS WITH WHITE OR SILVER ENCAPSULATED SHEETING, AS NOTED FOR EACH SIGN.

THE "EXIT NUMBER" PANELS AND "NEXT EXIT MILES" SIGNS SHALL BE ENCAPSULATED LENS SHEETING ONLY IN THE FOLLOWING INSTANCES:

- 1.) WHEN MOUNTED OVERHEAD
- 2.) WHEN MOUNTED ABOVE THE ADVANCED "1 MILE" SIGNS
- 3.) WHEN MOUNTED ON THE "RIGHT LANE" OR "NEXT RIGHT" SIGNS - (TEXT ONLY)

THE EXIT GORE SIGN SHALL BE CONSTRUCTED ENTIRELY WITH ENCAPSULATED LENS SHEETING.

COLORS:

THE SIGNS SHALL HAVE A REFLECTORIZED WHITE TEXT ON A REFLECTORIZED GREEN OR BLUE BACKGROUND AS INDICATED FOR EACH SIGN UNLESS OTHERWISE NOTED. THE GREEN AND BLUE SHALL CONFORM WITH THOSE FOUND IN STANDARD COLOR TOLERANCE CHARTS AS APPROVED BY THE U.S. DEPT. OF TRANSPORTATION, FEDERAL HIGHWAY ADMINISTRATION.

LETTERING:

LETTERS AND DIGITS SHALL CONFORM WITH THE REQUIREMENTS FOUND IN THE PUBLICATION "STANDARD ALPHABETS FOR HIGHWAY SIGNS AND PAVEMENT MARKINGS" PRINTED BY THE FEDERAL HIGHWAY ADMINISTRATION.

DESIGNS:

THE DESIGN OF THESE SIGNS SHALL CONFORM WITH THE DETAILS SET FORTH IN THE MANUAL "STANDARD HIGHWAY SIGNS" AS SPECIFIED IN "THE MANUAL ON UNIFORM TRAFFIC CONTROL DEVICES".

SPECIFICATIONS:

THE SIGNS SHALL MEET THE STANDARD STATE SPECIFICATIONS FOR "TRAFFIC SIGNS".

REV.	DATE	DESCRIPTION
0	SEP. 10, 1987	ORIGINAL APPROVAL
1	DEC. 18, 1989	CHANGE DIMENSION ERRORS
2	AUG. 8, 1995	CHANGE 2 DIGIT EXIT SIGN SIZE
3	JUN. 25, 2024	REVISED CARPOOL SIGN DETAIL MINOR REVISIONS, BORDER UPDATE

OTHER STANDARDS REQUIRED:

GUIDE SIGN DETAILS



STANDARD E-131