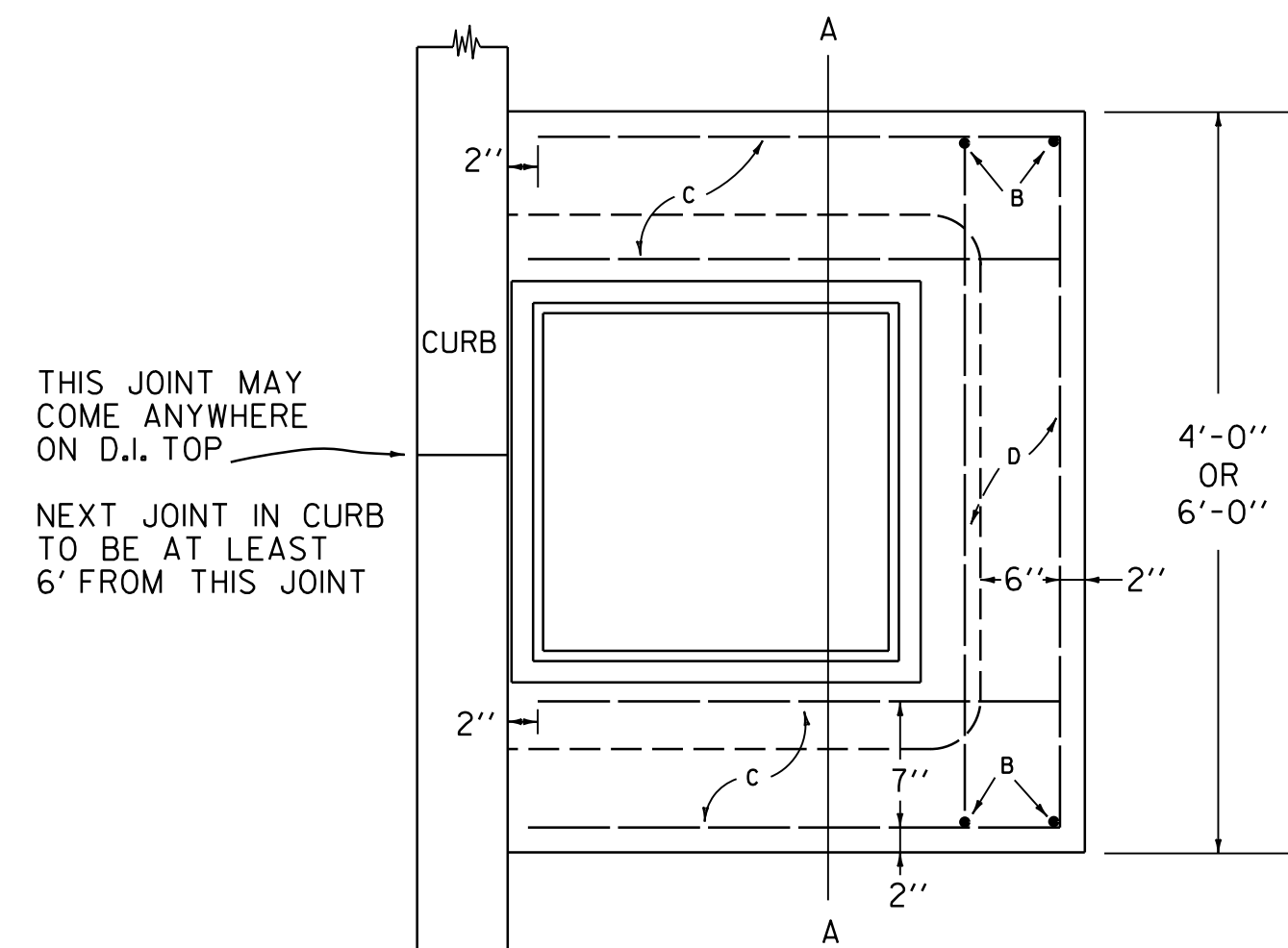
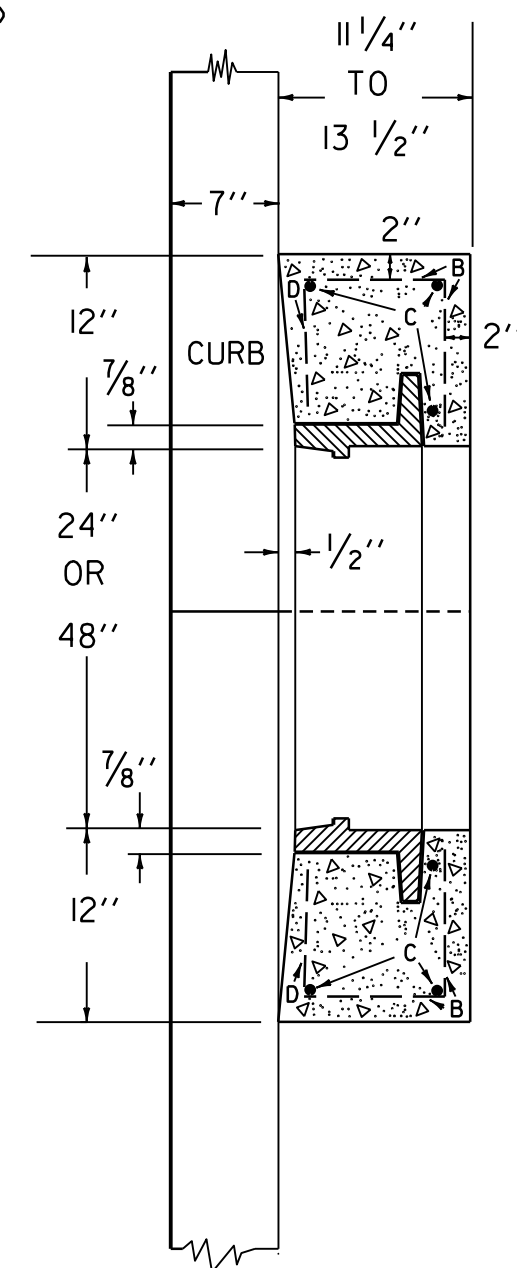


REINFORCED CONCRETE DROP INLET TOP WITH VERTICAL CURB



PLAN



SECTION A-A

STEEL SCHEDULE FOR 4'-0" X 4'-0" D.I.

BAR	NO	LENGTH
B	2	4'-8"
C	6	2'-9"
D	2	3'-8"

0'-6" 3'-8" 0'-6"
STRAIGHT
STRAIGHT

CONCRETE CLASS B 0.28 C.Y.
REINFORCING STEEL 35 LBS.

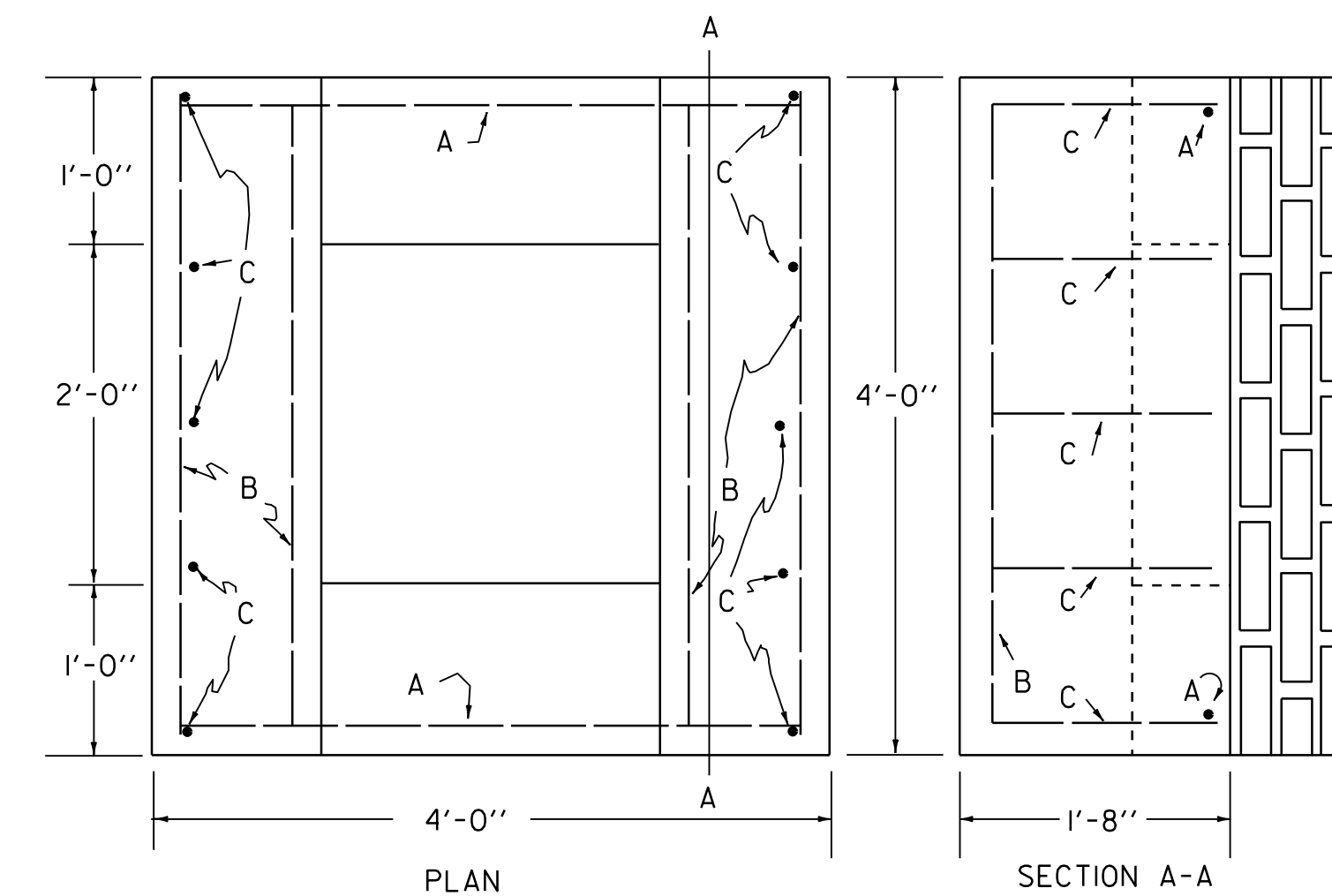
STEEL SCHEDULE FOR 4'-0" X 6'-0" D.I.

BAR	NO	LENGTH
B	2	6'-8"
C	6	2'-9"
D	2	5'-8"

0'-6" 3'-8" 0'-6"
STRAIGHT
STRAIGHT

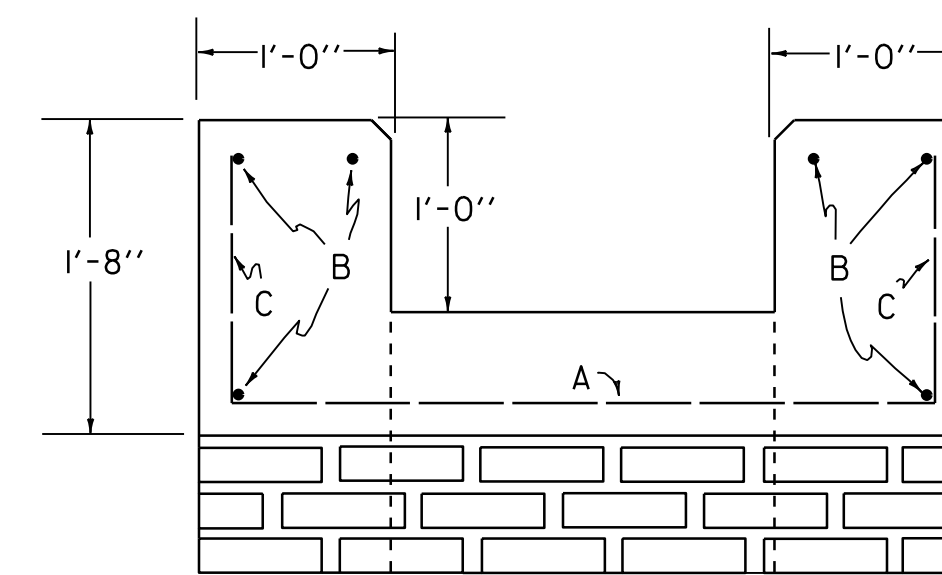
CONCRETE CLASS B 0.34 C.Y.
REINFORCING STEEL 43 LBS.

PRECAST COVER TO BE CONSTRUCTED AND INSTALLED AS SHOWN ON STANDARD SHEET D-8.



PLAN

SECTION A-A



ELEVATION

CONCRETE THROAT ADAPTER

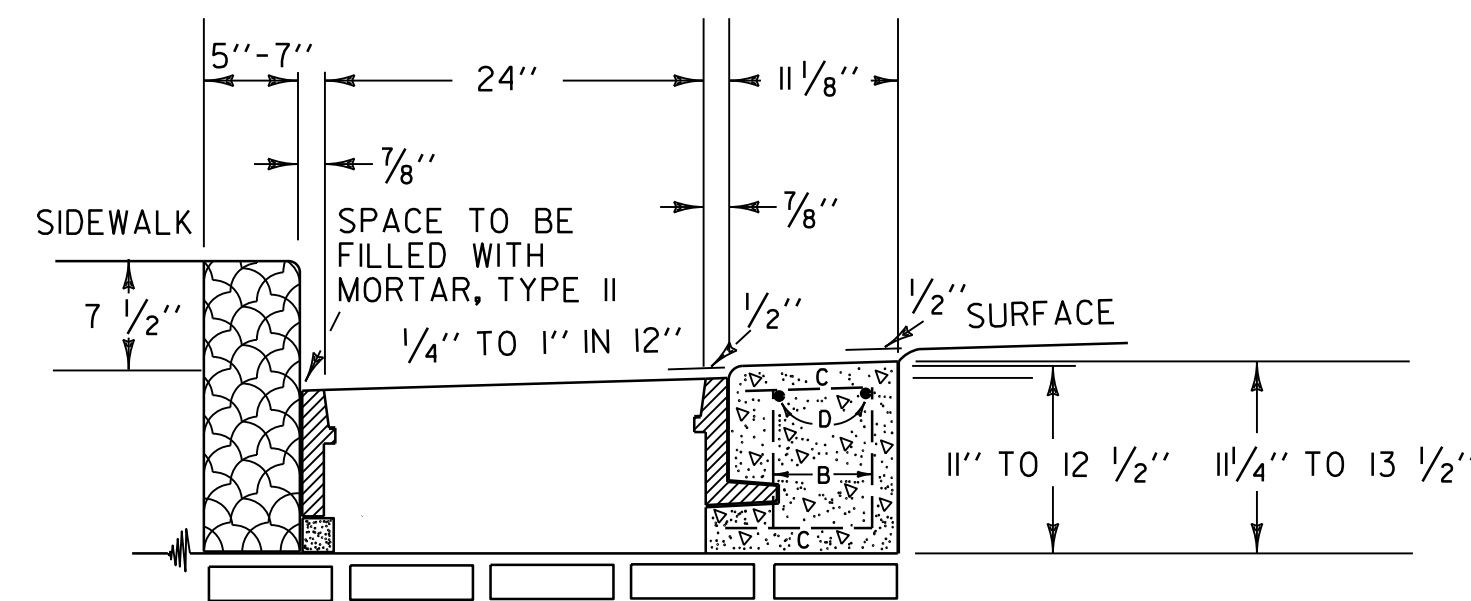
STEEL SCHEDULE

BAR	NO	LENGTH	TYPE
A	2	3' - 8"	STRAIGHT
B	6	3' - 8"	STRAIGHT
C	10	1' - 4"	STRAIGHT

ALL REINFORCING STEEL TO BE No. 5 DEFORMED BARS.

CONCRETE TO CONFORM TO STRUCTURAL CONCRETE SECTION 541.

CONCRETE CLASS B 0.59 C.Y. (NOT INCLUDING COVER)
REINFORCING STEEL 45 LBS.



ELEVATION OF REINFORCED CONCRETE DROP INLET TOP WITH VERTICAL CURB

GENERAL NOTES

- CONCRETE TO CONFORM TO STRUCTURAL CONCRETE, SECTION 541.
- ALL REINFORCING STEEL SHALL BE LEVEL I.
- THESE TOPS TO BE USED WITH THE BOTTOM SECTIONS SHOWN ON STANDARD SHEETS D-5, D-8, AND D-13.
- ALL REINFORCING STEEL TO HAVE A 2" MINIMUM COVER.
- CAST IRON GRATE AND FRAME IN ACCORDANCE AND PAID FOR UNDER SECTION 604.

REV.	DATE	DESCRIPTION
0	DEC. 6, 1971	ORIGINAL APPROVAL
1	JUN. 1, 1994	REISSUED, WITHOUT CHANGE, NEW SIGNATURES
2	JUN. 25, 2024	MISC. REVISIONS, BORDER UPDATE
OTHER STANDARDS REQUIRED: NONE		
VTRANS AND FHWA APPROVAL ON FILE WITH CONTRACT ADMINISTRATION		

REINFORCED CONCRETE DROP INLET WITH VERTICAL CURB
REINFORCED CONCRETE DROP INLET THROAT ADAPTER

