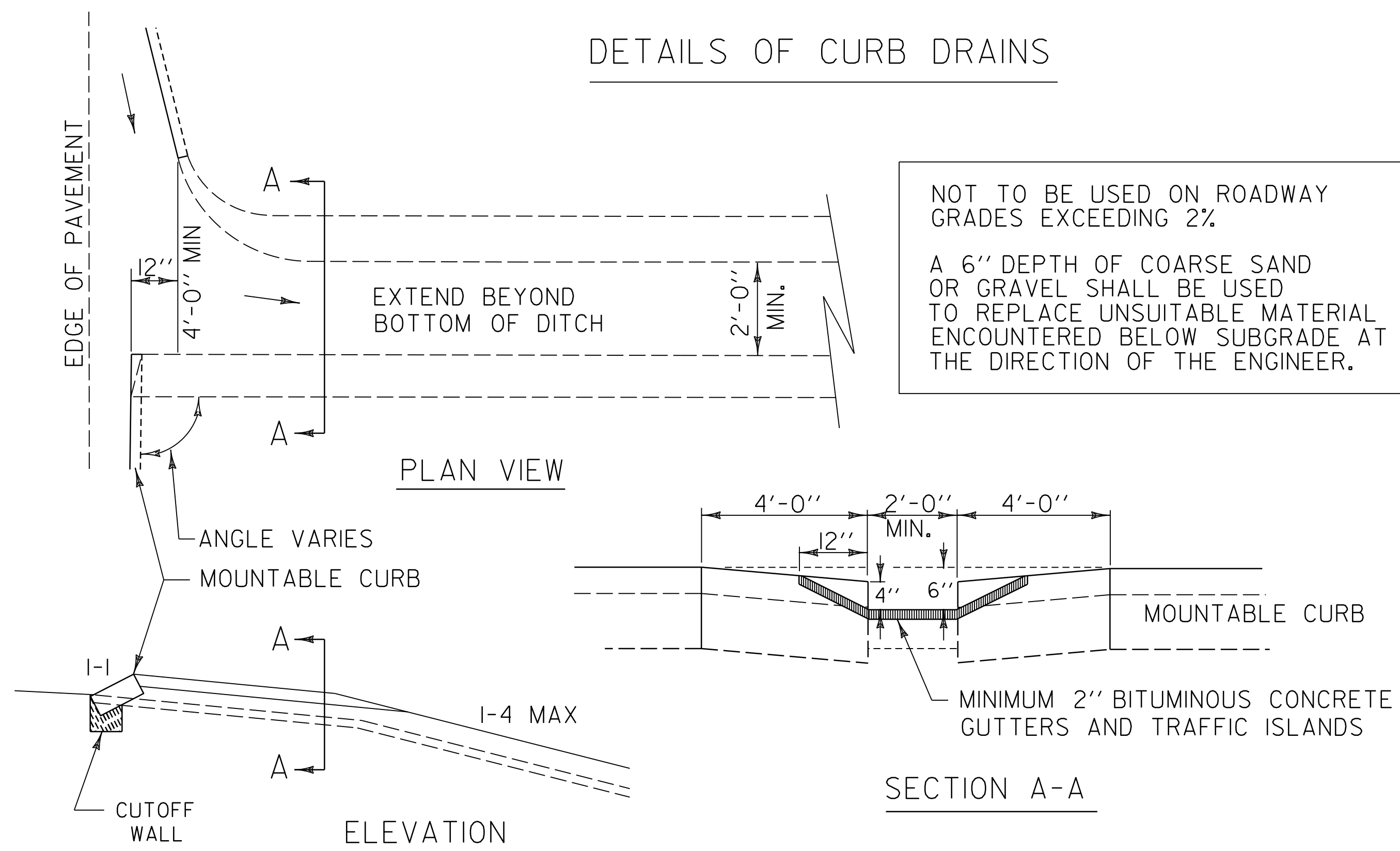
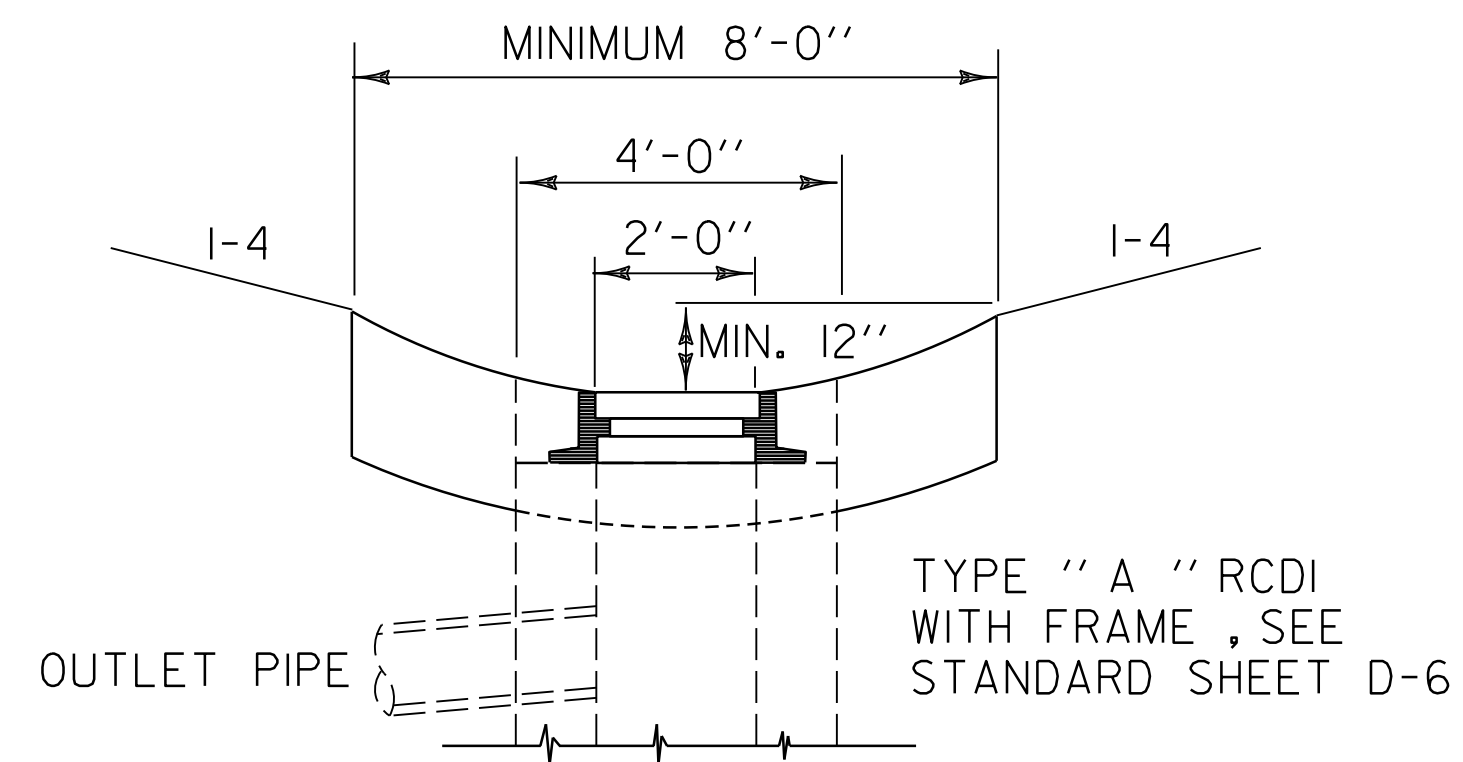


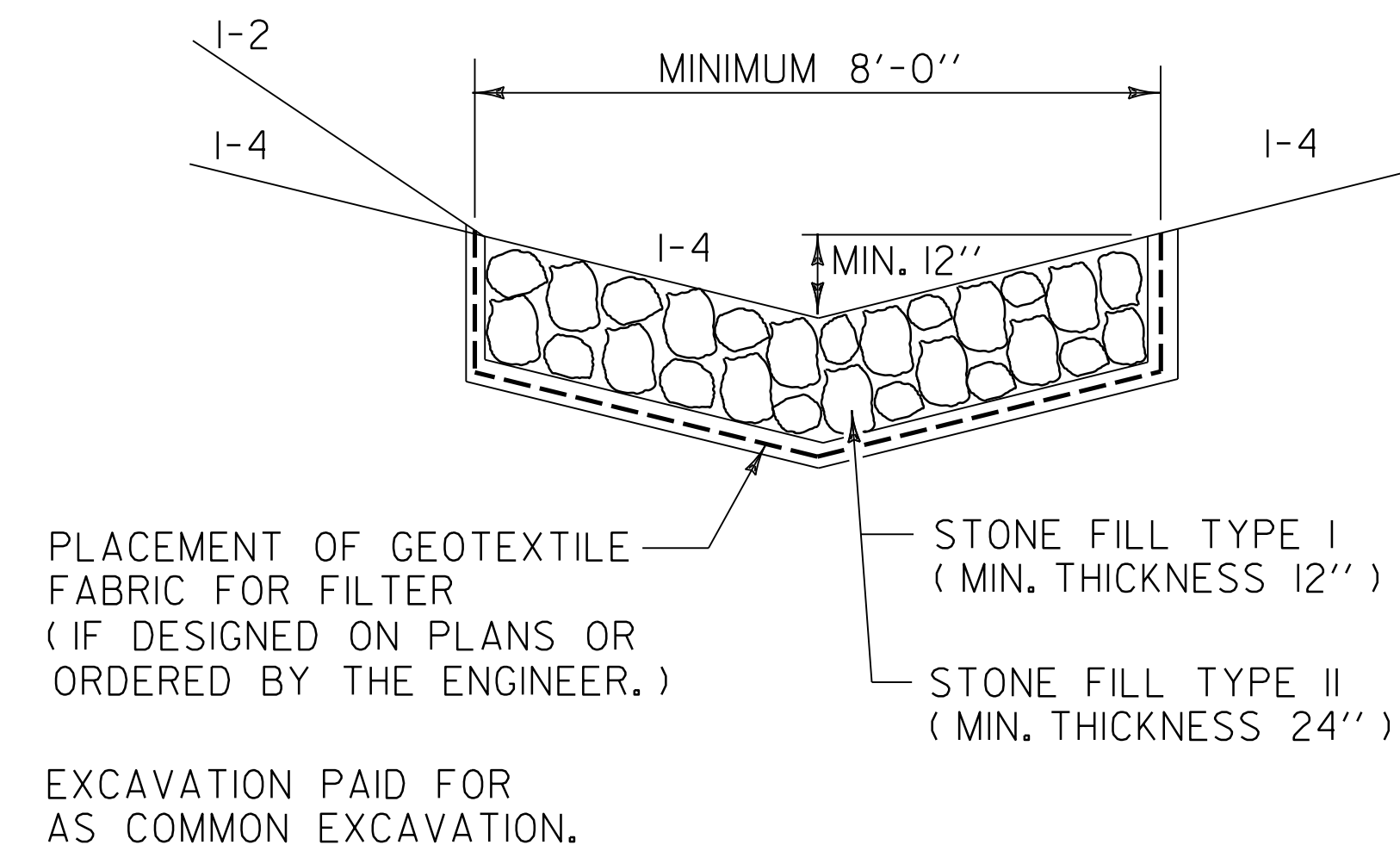
DETAILS OF CURB DRAINS



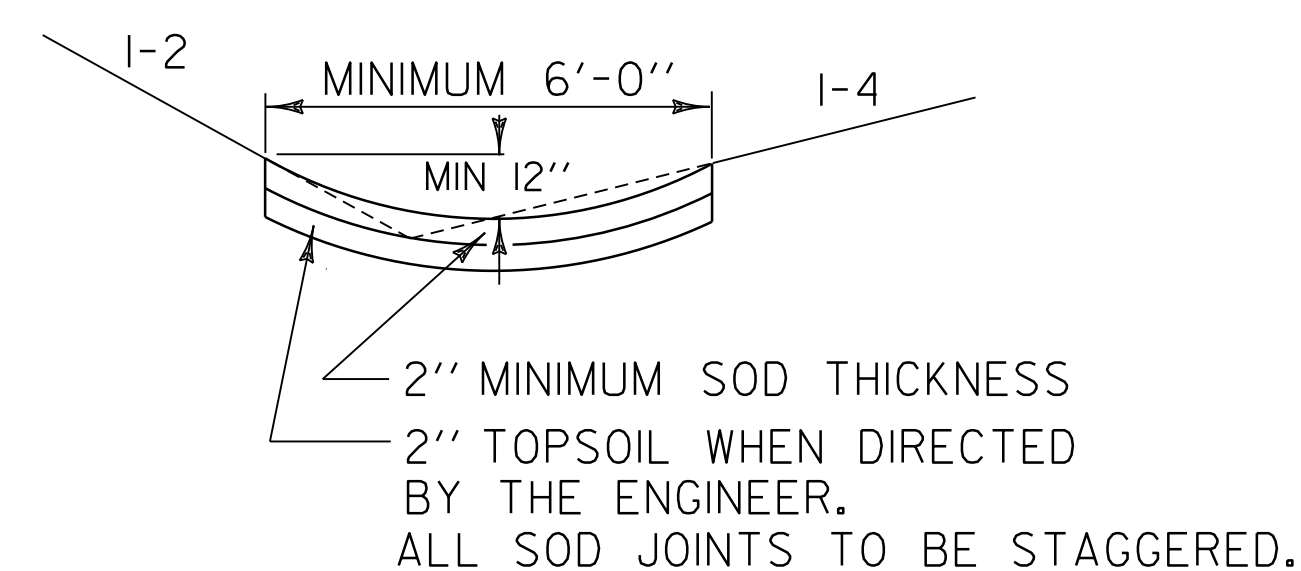
DROP INLET WITH GRATE IN TREATED GUTTER



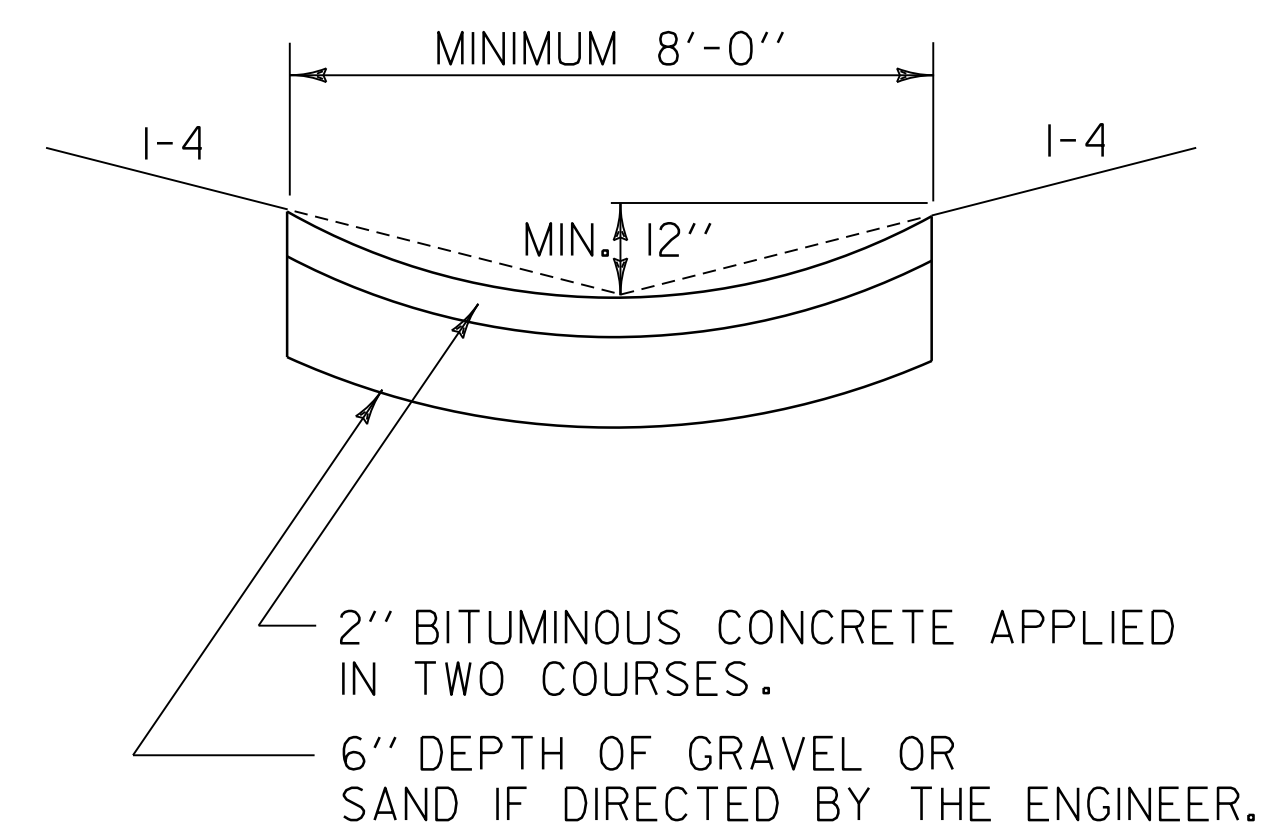
STONE FILL TYPE I STONE FILL TYPE II



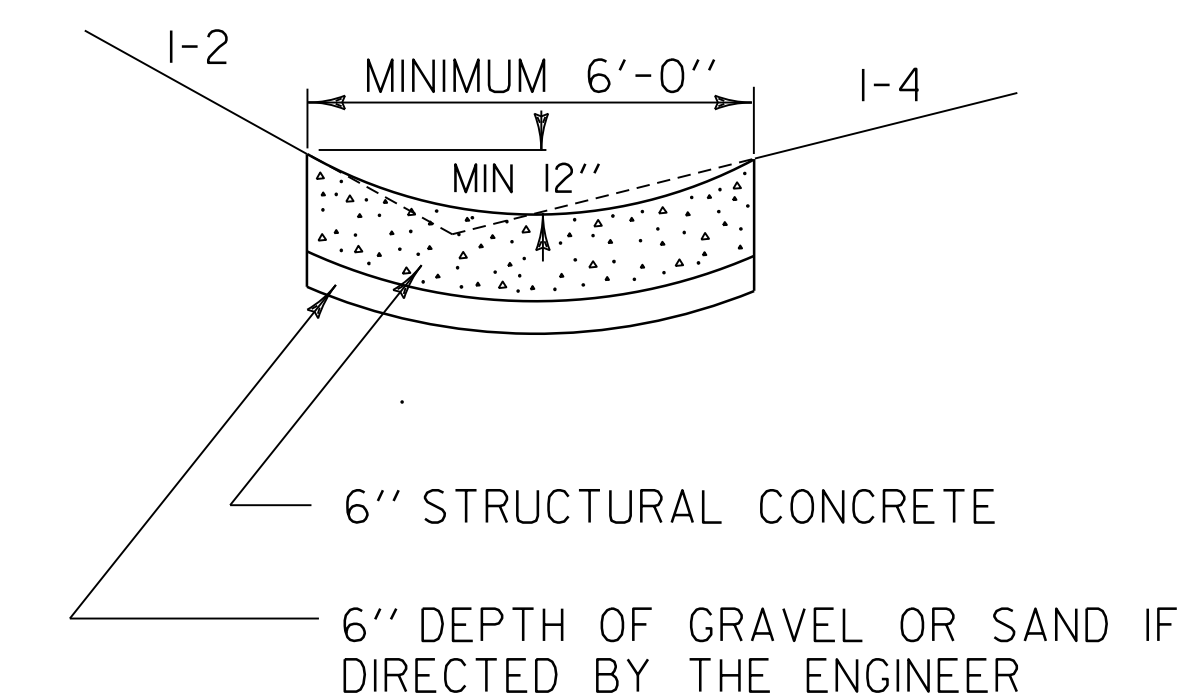
SODDING



BITUMINOUS CONCRETE GUTTERS AND TRAFFIC ISLANDS



PORTLAND CEMENT CONCRETE GUTTER



REV.	DATE	DESCRIPTION
0	APR. 2, 1986	ORIGINAL APPROVAL
1	JUN. 1, 1994	REISSUED, WITHOUT CHANGE, NEW SIGNATURES
2	JUN. 25, 2024	MISC. REVISIONS, BORDER UPDATE
OTHER STANDARDS REQUIRED: NONE		
VTRANS AND FHWA APPROVAL ON FILE WITH CONTRACT ADMINISTRATION		

TREATED GUTTERS



STANDARD
D-3